

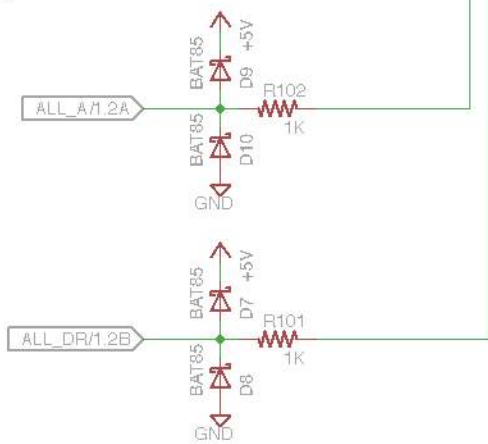
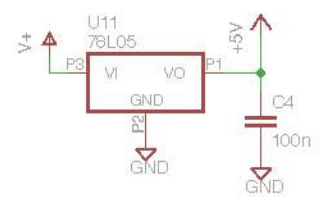
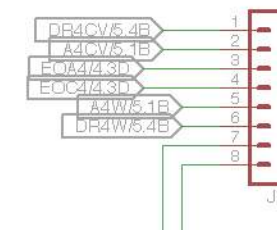
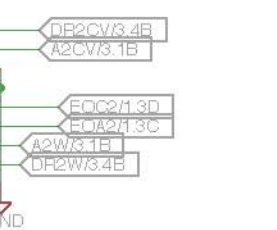
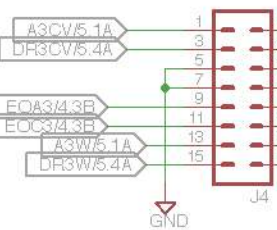
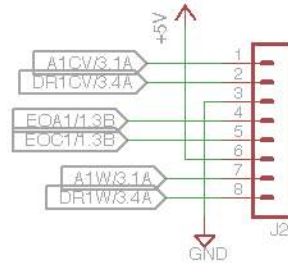
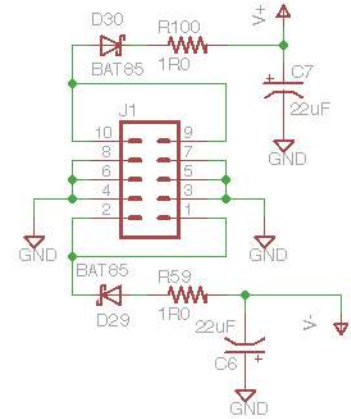
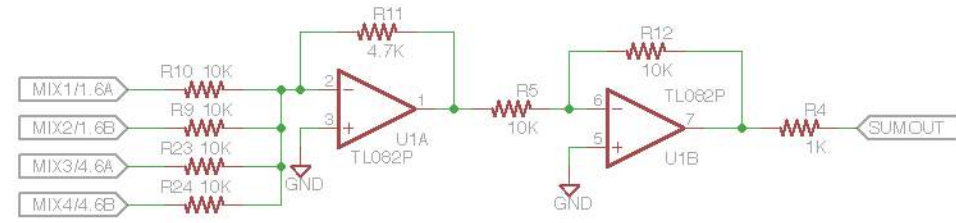
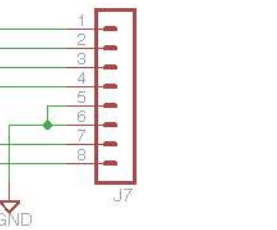
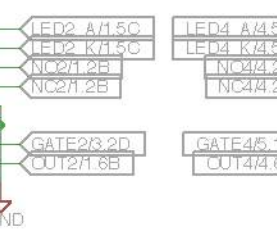
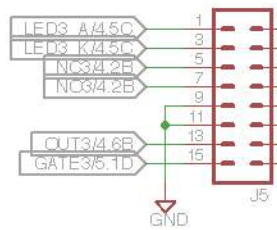
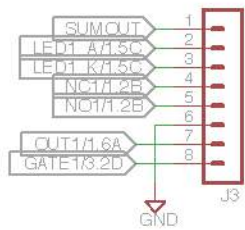
TITLE: QuadrMainP8

Document Number:

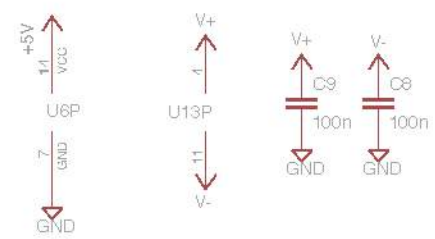
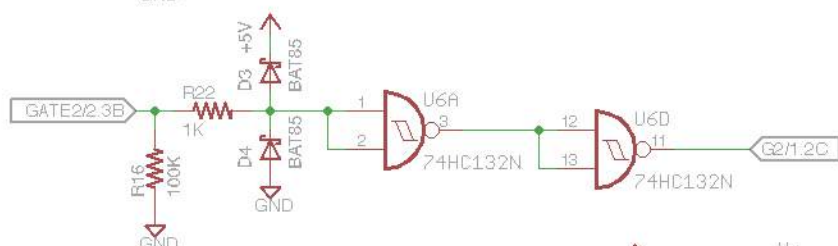
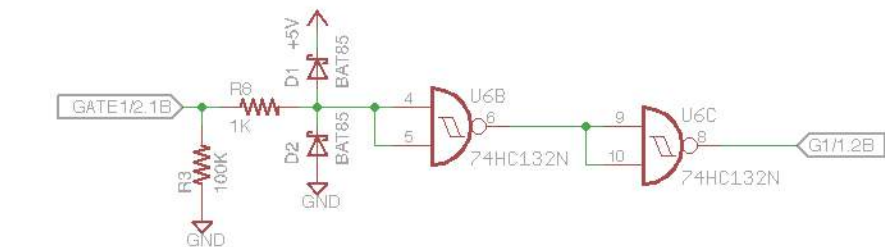
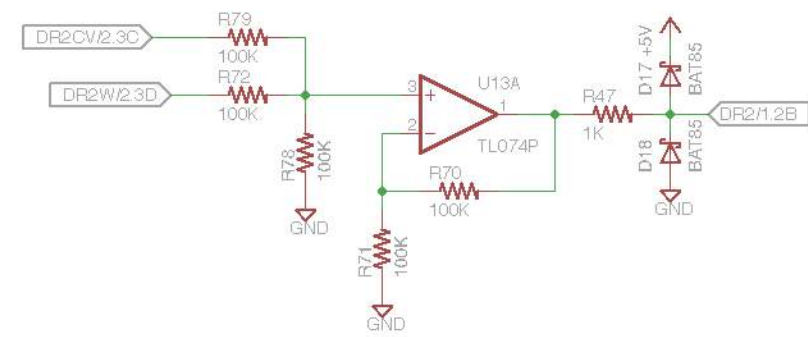
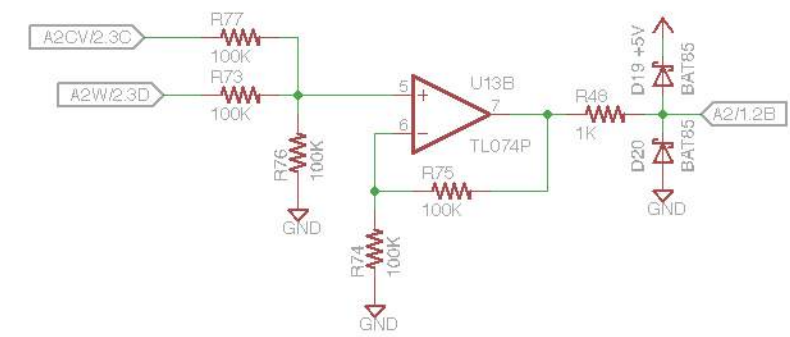
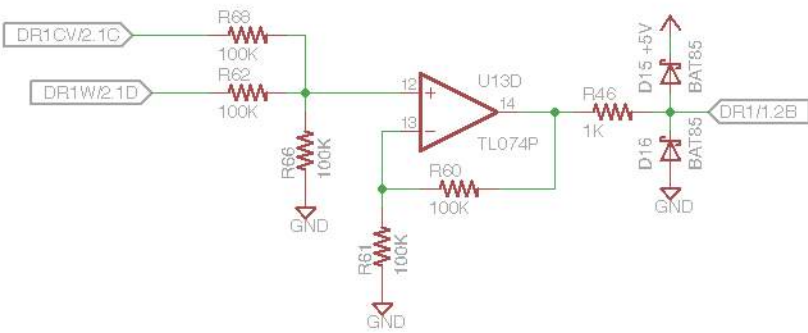
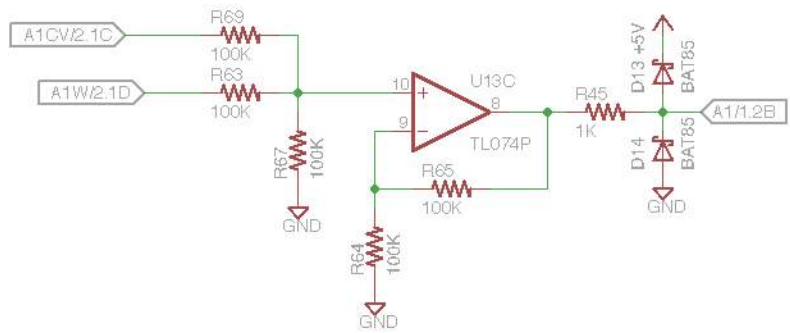
REV:

Date: 8/17/17 3:29 AM

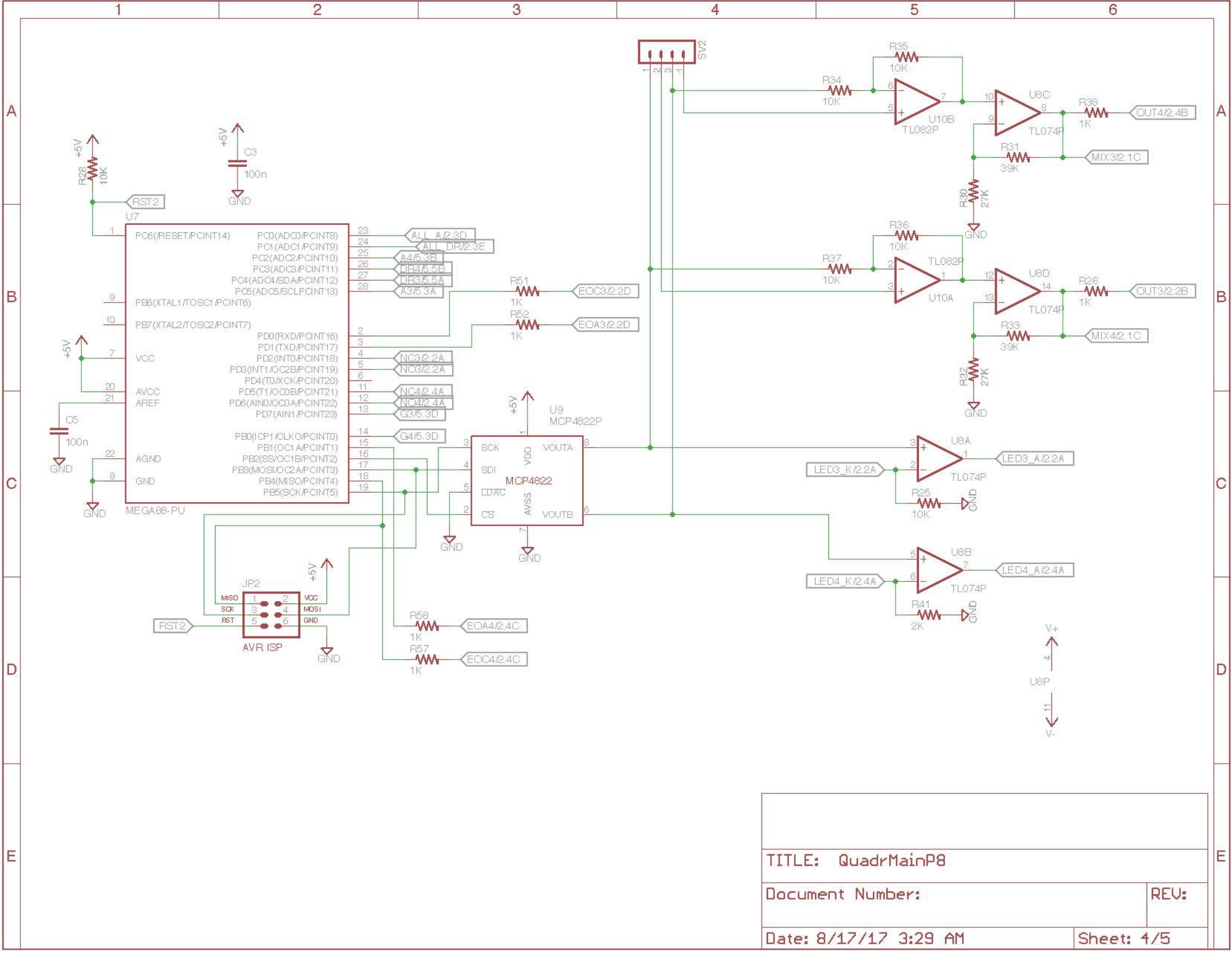
Sheet: 1/5



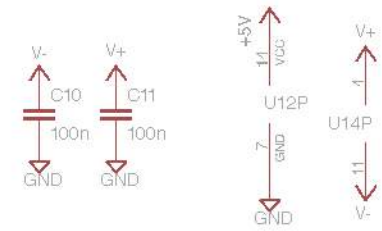
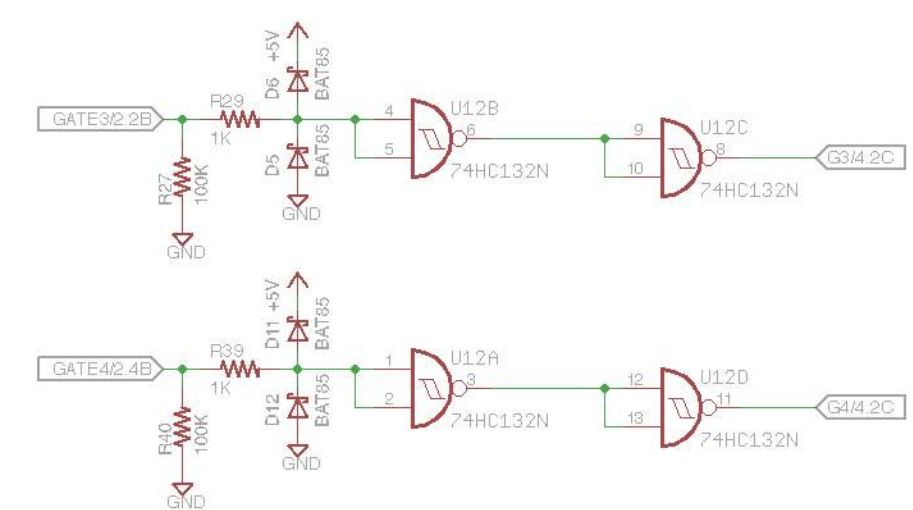
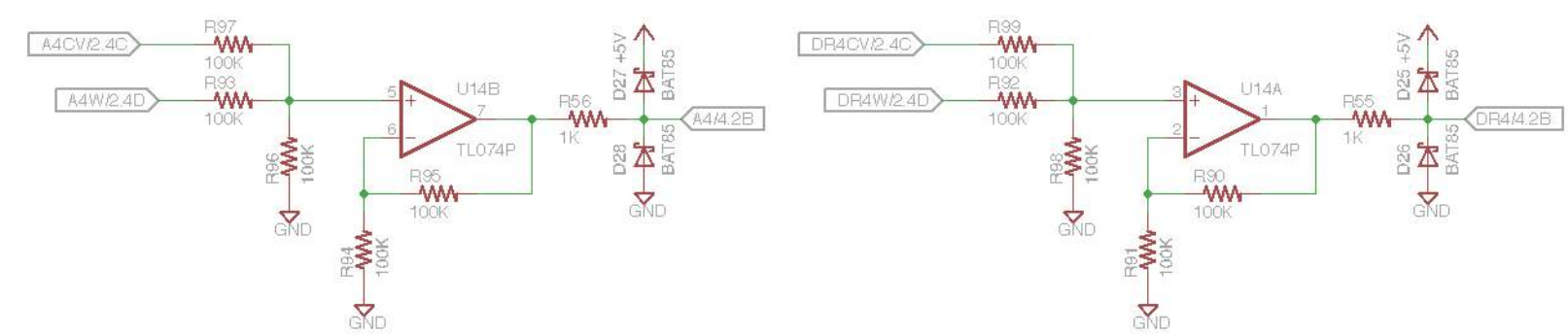
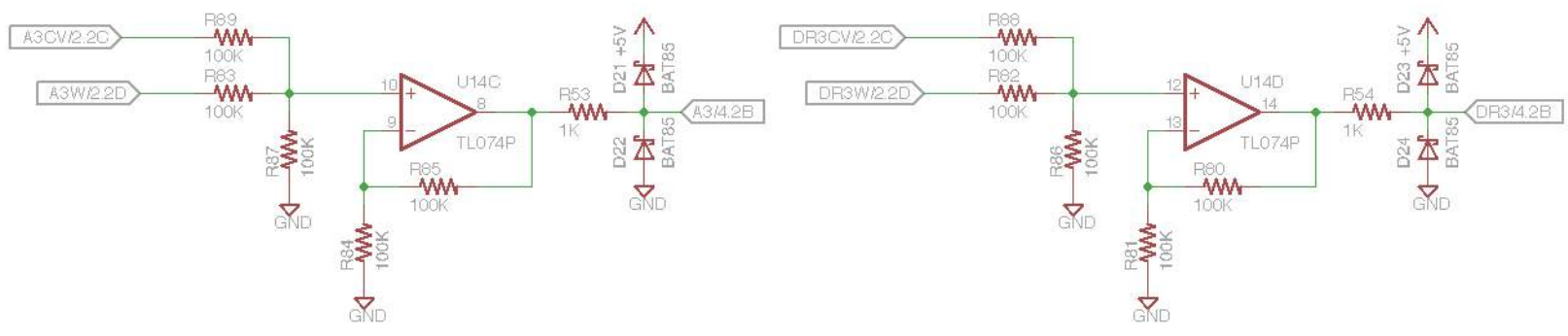
TITLE: QuadrMainP8	
Document Number:	REV:
Date: 8/17/17 3:29 AM	Sheet: 2/5



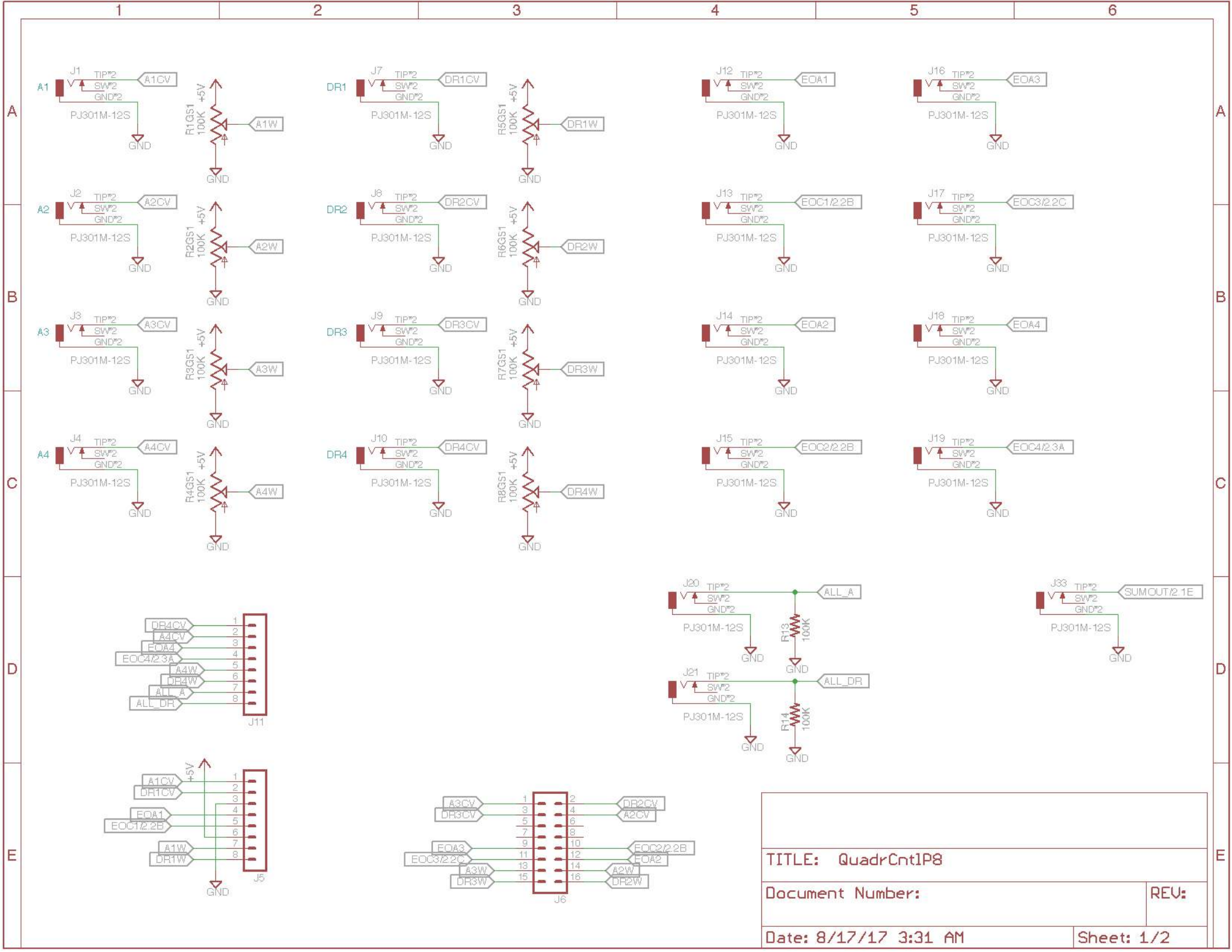
TITLE: QuadrMainP8	
Document Number:	REV:
Date: 8/17/17 3:29 AM	Sheet: 3/5



TITLE: QuadrMainP8	
Document Number:	REV:
Date: 8/17/17 3:29 AM	Sheet: 4/5



TITLE: QuadrMainP8	
Document Number:	REV:
Date: 8/17/17 3:29 AM	Sheet: 5/5



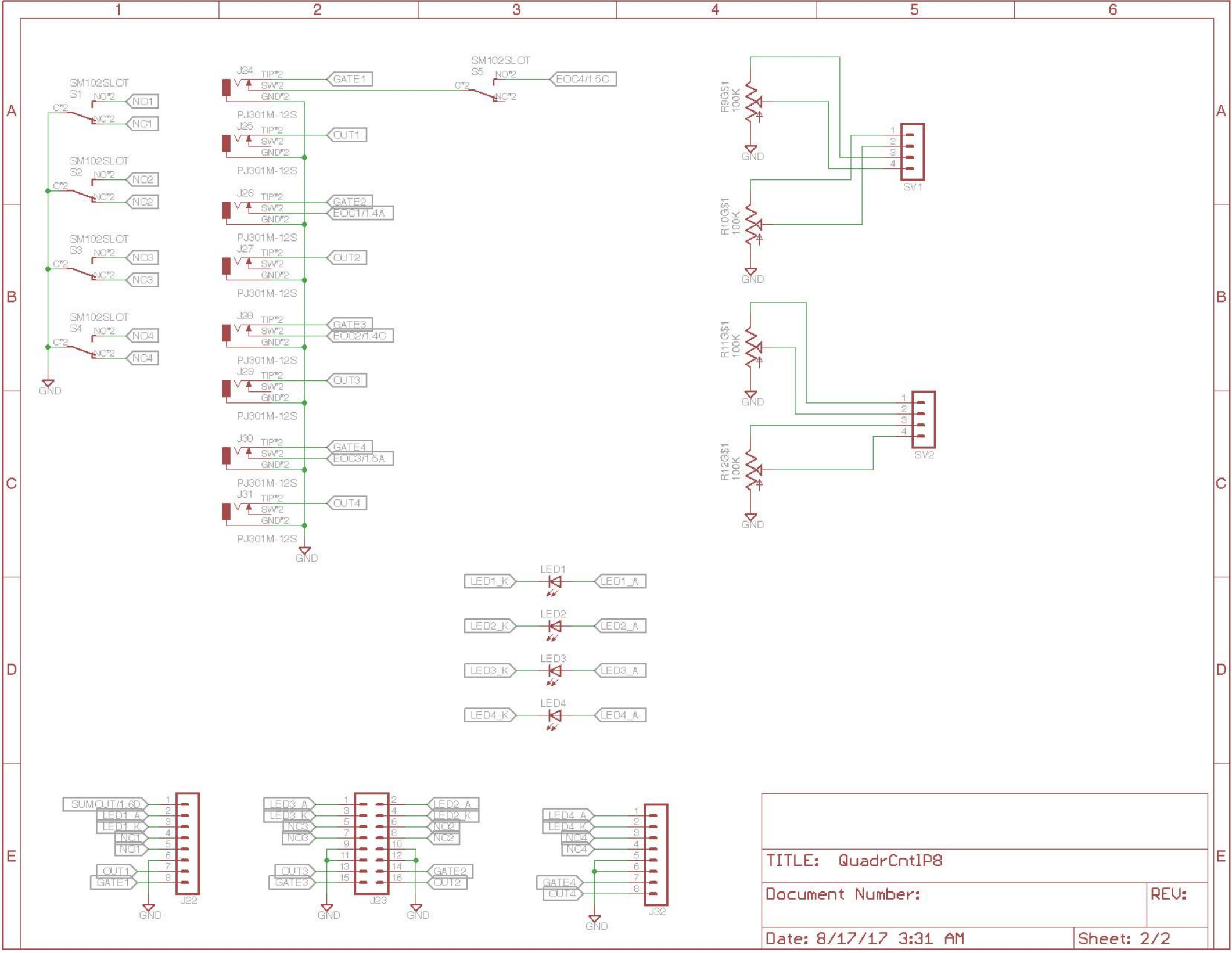
TITLE: QuadCntIP8

Document Number:

REV:

Date: 8/17/17 3:31 AM

Sheet: 1/2



TITLE: QuadrCntIP8

Document Number:

REV:

Date: 8/17/17 3:31 AM

Sheet: 2/2